

**KONOVEN
KN-ED**

**EKMEK DİLİMLEME
BROT SCHNEIDER
BREAD SLICER
Хлеборезка**



BİLGİ
INFORMATION
ИНФОРМАЦИЯ
INFORMIEREN

KN-ED

Ekmek Dilimleme Makinesi
Bread Slicer

Brot Schneidemaschine
Хлеборезка



Konoven Ekmek Dilimleme makinesi KN-ED minimum 8mm Ekmek dilimleyebilmektedir. özel ölçülerdede dilimleme işlemi yapılabilmektedir. Ekmekleri parçalamadan, koparmadan ve ezmeden eşit dilimlere ayırabilmektedir.



Konoven Brot Schneidemaschine KN-ED kann mindestens 8 mm Brot schneiden. Das Schneiden kann in Sondergrößen erfolgen. Es kann das Brot in gleiche Scheiben teilen, ohne zu brechen, zu reißen und zu zerdrücken.



Konoven Bread Slicer KN-ED can slice 8mm Bread minimum. Slicing can be done in special sizes. It can divide the bread into equal slices without breaking, tearing and crushing.

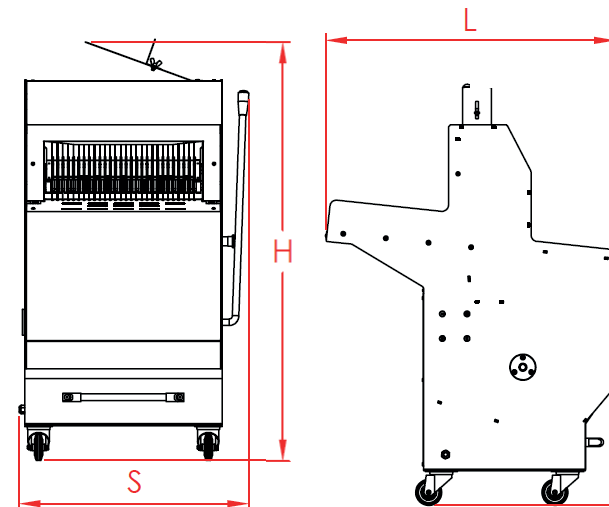
Konoven Bread Slicer KN-ED can slice 8mm Bread minimum. Slicing can be done in special sizes. It can divide the bread into equal slices without breaking, tearing and crushing.



Хлеборезка Konoven KN-ED может нарезать хлеб минимум на 8 мм. Нарезка может быть выполнена в специальных размерах. Он может разделить хлеб на равные ломтики, не ломая, не разрывая и не раздавливая.



KN-ED	1200*720*890	0,37kW 230Watt	38*48*18	140	Electric	Manual	8	min:8mm max 20mm
-------	--------------	----------------	----------	-----	----------	--------	---	------------------



MERKEZ FABRİKA-HEADQUARTERS/FACTORY

Fevziçakmak Mah. Sıla Caddesi

No:46H, 42210 Karatay/Konya

+90 (332) 237 30 30

www.konoven.com

info@konoven.com

ISTANBUL SHOWROOM

Zuhuratbaba Mah. Yüce Tarla Cad.

No:69 D:3 Bakırköy/İstanbul/TÜRKİYE

Zorman Kurumsal Gıda Mak. Ltd. Şti.

+90 (532) 012 35 74

+90 (536) 617 24 58

zorman@zorman.com.tr

+90 (212) 877 35 42

www.zorman.com.tr



www.konoven.com

konoven /     

